



Double Belgian Waffle Makers

DOSZE
EQUIPMENT
WWW.DOSZE.COM.CO

Features

- Heavy-duty die-cast housing
- Independent controls deliver 50 to 60 1¼"-thick Belgian waffles per hour (based on voltage)
- Nonstick plates allow for easy removal of waffles
- Embedded heating elements for precise temperature control
- Rotary feature for even baking and browning
- Audio beep signals when unit is ready and when waffle is cooked
- Power and ready-to-bake LED indicators

WW250/WW250B





Commercial Double Belgian Waffle Makers



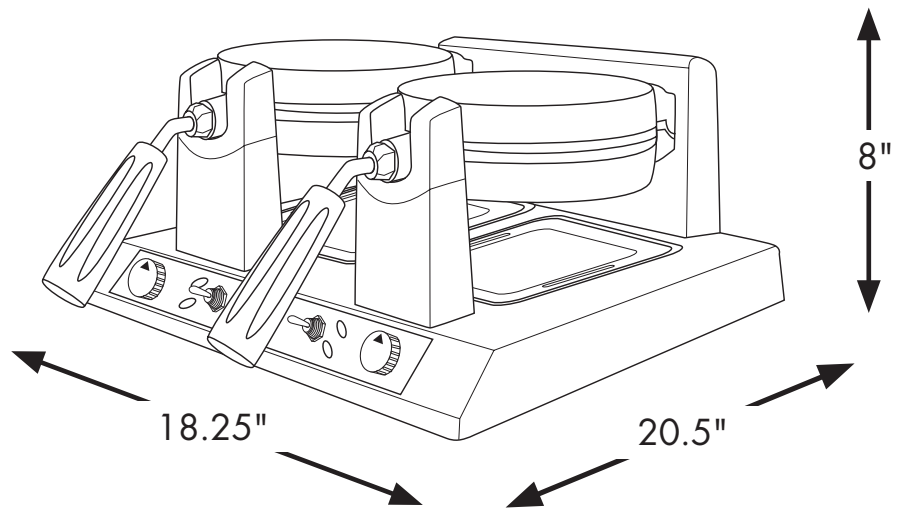
WW250/WW250B

Specifications

Item	Electrical	Listings	Dimensions (H" x W" x D")	Warranty
WW250	120 Volt	UL, CUL, NSF	8" x 18.25" x 20.5"	Limited One Year
WW250B	208 Volt	UL, CUL, NSF	8" x 18.25" x 20.5"	Limited One Year

Ordering Information

Description	Catalog #	Std Pkg.	Ship Wt. (lbs.)	Cubic Feet	UPC Code
Commercial Double Belgian Waffle Maker - 120V	WW250	1	32.2	2.8	040072008320
Commercial Double Belgian Waffle Maker - 208V	WW250B	1	32.2	2.8	040072008344



DOSZE
EQUIPMENT
WWW.DOSZE.COM.CO

Waring Commercial • 314 Ella T. Grasso Ave. • Torrington • Connecticut 06790
Tel. (800) 492-7464 • Fax (860) 496-9008 • www.waringproducts.com • ©2007 Waring

07WC30047
PG-20354