



701 S Ridge Avenue, Troy, OH 45374
1-888-4HOBART • www.hobartcorp.com

DOSZE
EQUIPMENT
WWW.DOSZE.COM.CO
Bogota D.C. ventas@dosze.com.co

4732-4732A MEAT CHOPPERS



STANDARD FEATURES

- 3 H.P. motor
- Compact design
- Steel gears
- Oil bath transmission
- Double lip seal
- 14 gauge stainless steel pan

MODEL

- 4732 – Meat Chopper
- 4732A – Meat Chopper

Specifications, Details and Dimensions on Reverse Side.



OPTIONS

- Removable pan

ACCESSORIES

- Floor mount legs
- #32 knife & plates
- #32 stuffing tubes



4732A

DOSZE
EQUIPMENT
WWW.DOSZE.COM.CO
Bogota D.C. ventas@dosze.com.co

4732-4732A MEAT CHOPPERS

4732-4732A MEAT CHOPPERS

DOSZE
EQUIPMENT
WWW.DOSZE.COM.CO
Bogota D.C. ventas@dosze.com.co

HOBART

701 S Ridge Avenue, Troy, OH 45374
1-888-4HOBART • www.hobartcorp.com

SPECIFICATIONS

Motor: 3 H.P., with ball bearings, in a sealed enclosure. Front bearing lubricated by transmission, rear bearing is grease packed, sealed for life.

Electrical: 200/60/1, 230/60/1, 200/60/3 and 230/60/3 – UL Listed. 380/50/3 – Not submitted for UL Listing.

TRANSMISSION: Double reduction, oil-lubricated hardened helical cut steel gears. Worm speed is only 151 RPM. Thrust from chopper worm is taken by a tapered roller bearing mounted in attachment hub on face of transmission housing. Double lip seal prevents loss of oil or entrance of moisture.

CAPACITY: Fresh meat capacity of 35 to 40 pounds per minute, first cutting, through a 1/8 plate – and 25 to 30 pounds of beef per minute on second cutting through a 1/8 plate.

FEED PAN: Feed pan features large capacity, measures 34" long, 21" wide and 4¹⁵/₁₆" deep inside. Furnished in 14 gauge stainless steel. A cast aluminum guard is perma-

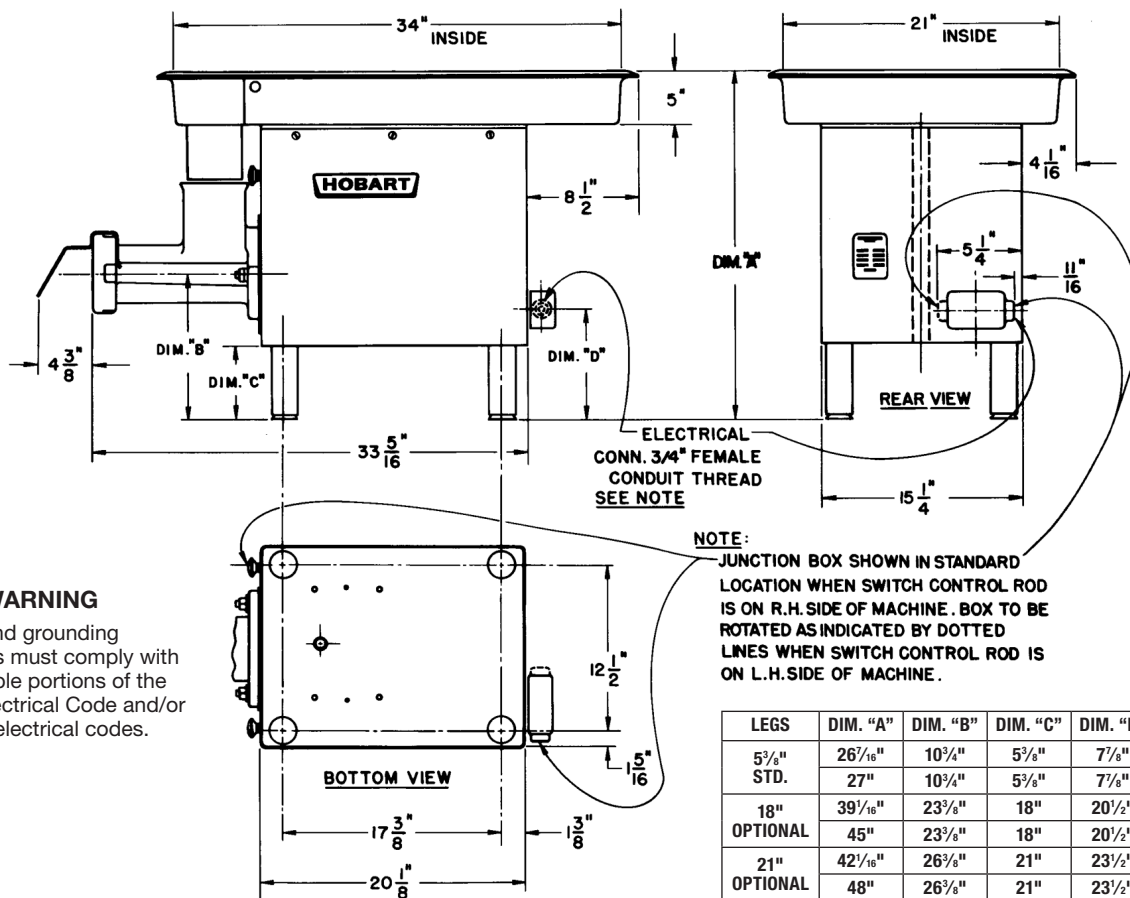
nently mounted to the front and sides of the pan with hardened steel drive screws. The pan is secured to the top of the housing with screws. It is separated from the motor area by a heavy sheet of fiberglass insulation to block transfer of heat from the motor compartment to the meat.

LEGS: Leg length on these standard table models provides 8" clearance between table and lowest point on adjusting ring. Legs in two different lengths (18" and 21") are available at extra cost to convert machine into a floor model. The floor model can be leveled, by adjusting the legs.

STANDARD EQUIPMENT: Consists of working power unit, magnetic-type contractor wired to water-proof junction box on rear of machine; chopping end; stainless steel feed pan with guard; tinned steel meat deflector mounted to chopping end; plastic feed stomper; cylinder wrench (for loosening cylinder nuts, adjusting ring, or removing worm); 5³/₈" legs cushioned on the bottom with resilient neoprene feet.

WEIGHT: Model 4232 – Net 300 lbs. Shipping 330 lbs.

DETAILS AND DIMENSIONS



WARNING

Electrical and grounding connections must comply with the applicable portions of the National Electrical Code and/or other local electrical codes.

As continued product improvement is a policy of Hobart, specifications are subject to change without notice.